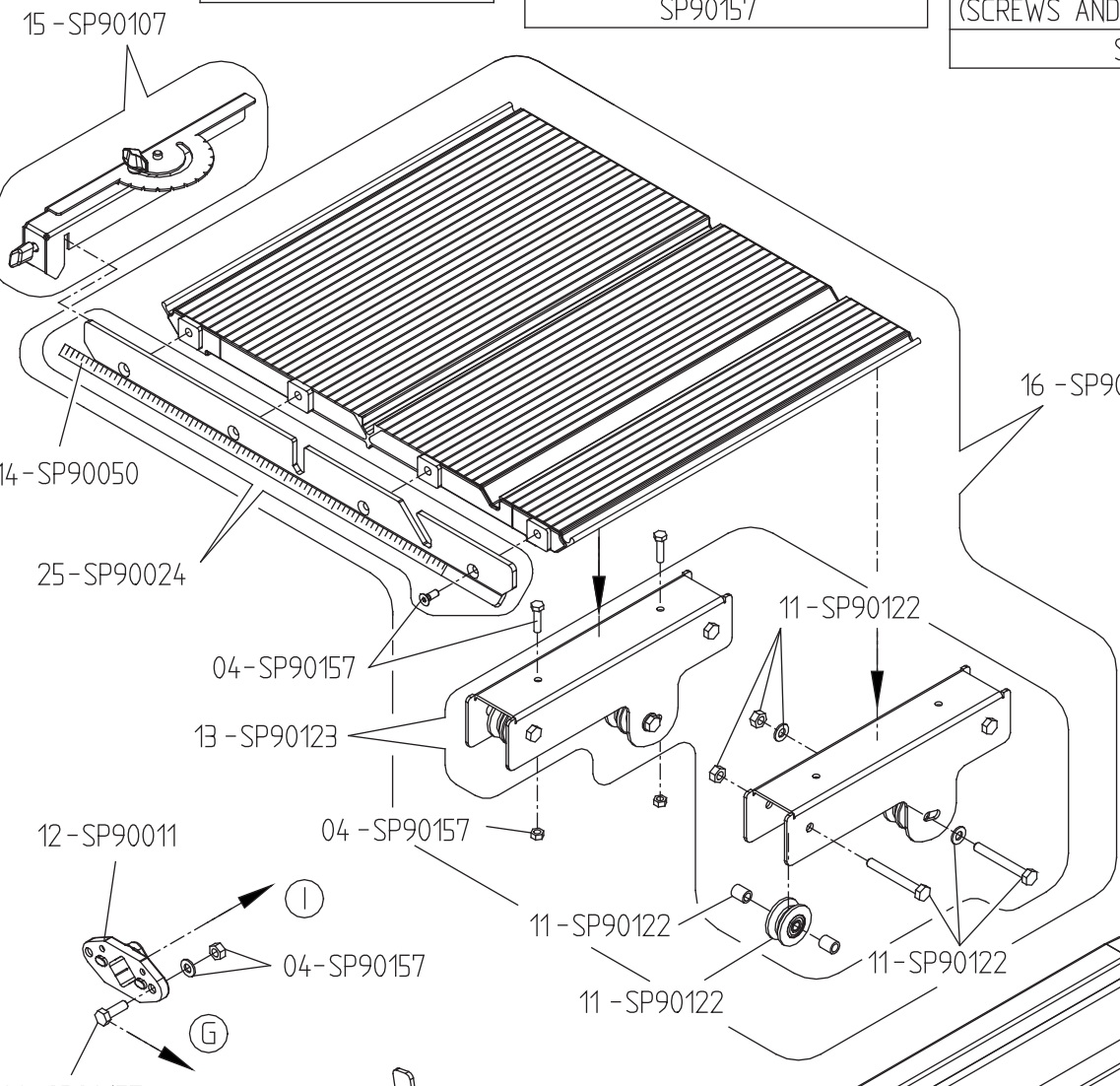
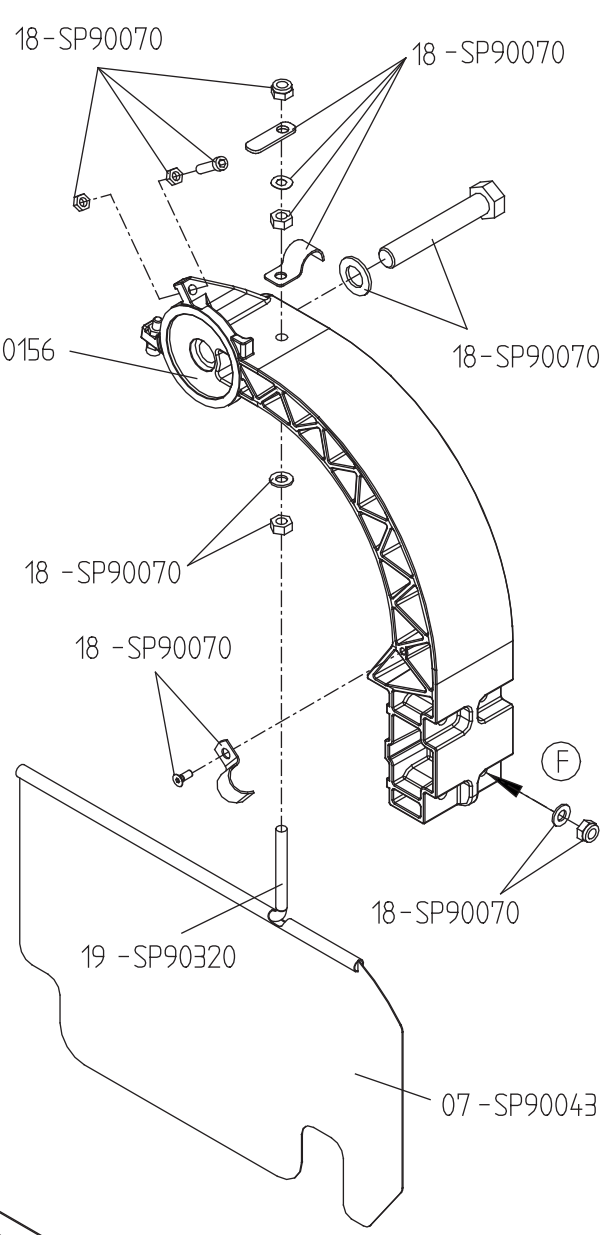


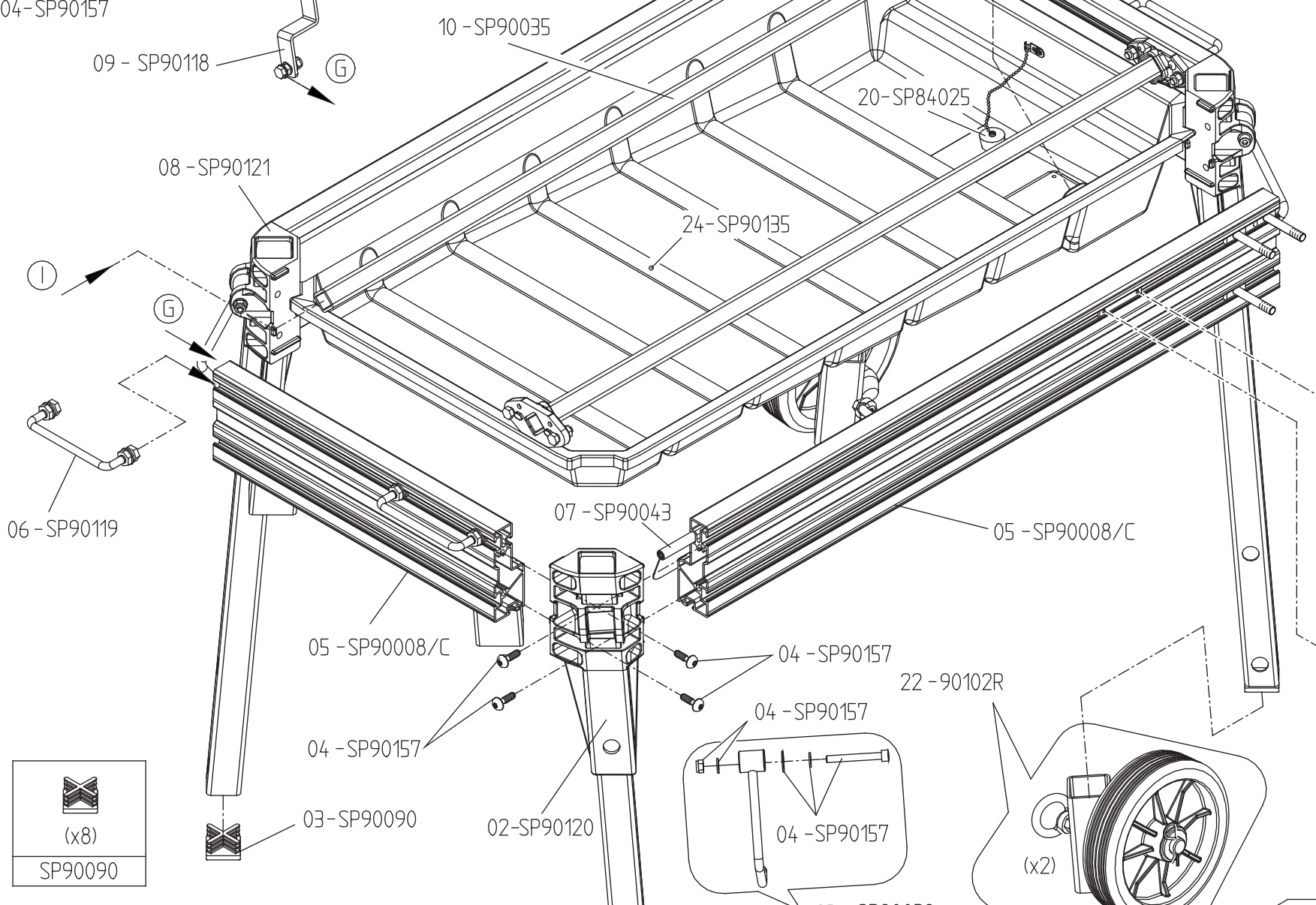
(x12) (x6) (x4) (x6) (x6)
SP90122

(VITI e DADI PER TELAIO)
(SCREWS AND NUTS FOR FRAME)
SP90157

(VITI e DADI PER MONTANTE)
(SCREWS AND NUTS FOR UPRIGHT)
SP90070



(x1) (x1) (x1)
SP84025



(x1) (x1) (x1)
SP84025

(x1) (x1) (x1)
SP84025

(x8)
SP90090

(x4)
SP90011

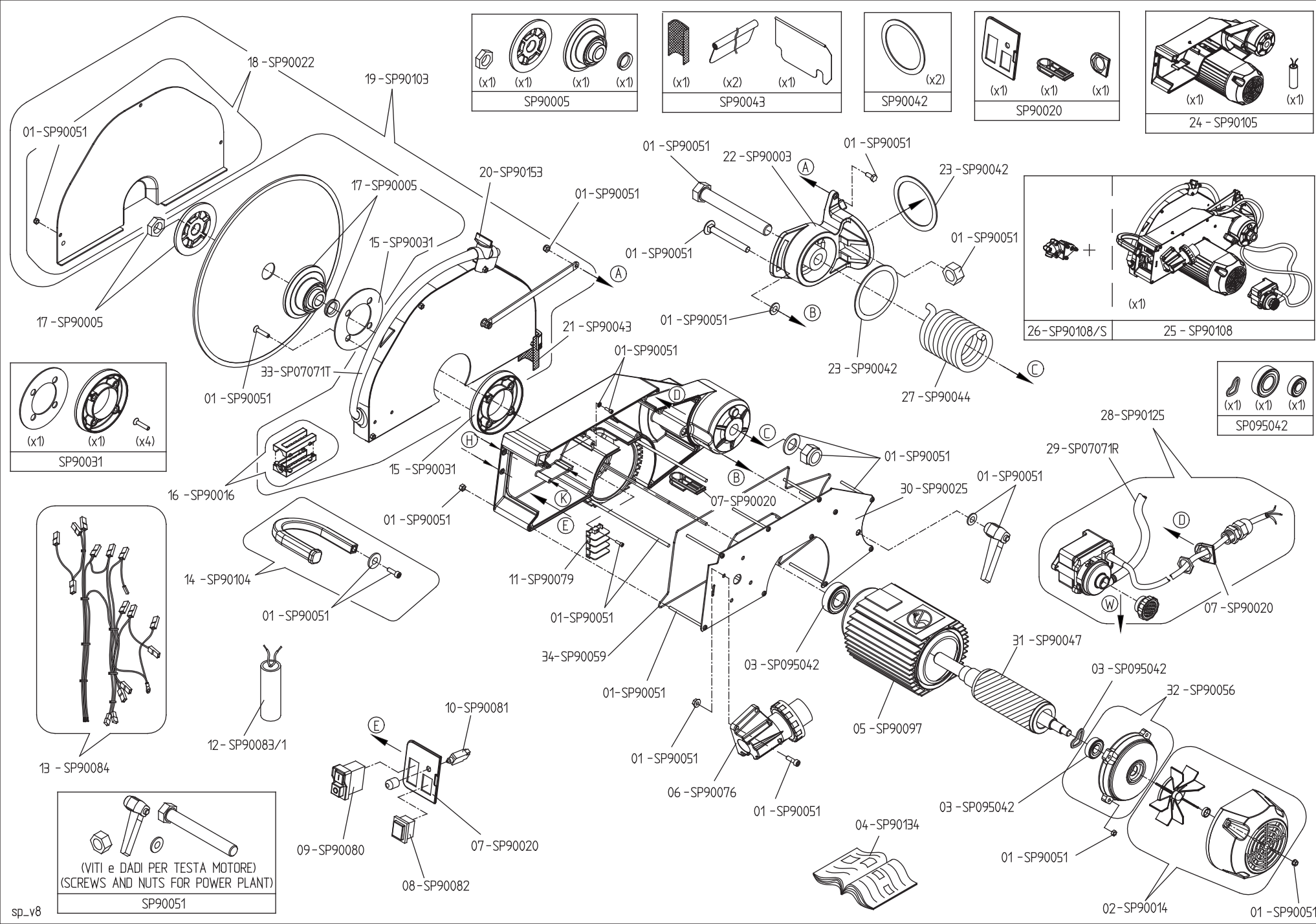
(x1)
SP90121

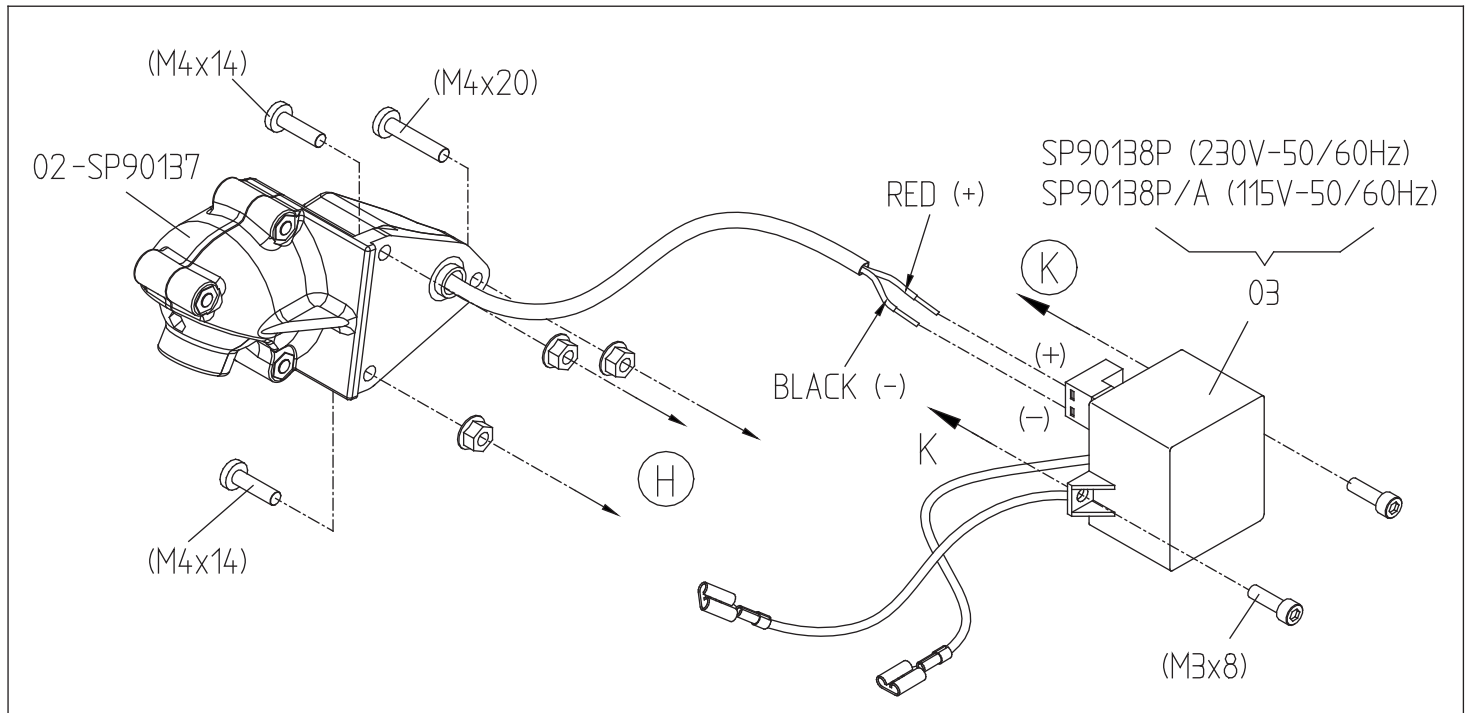
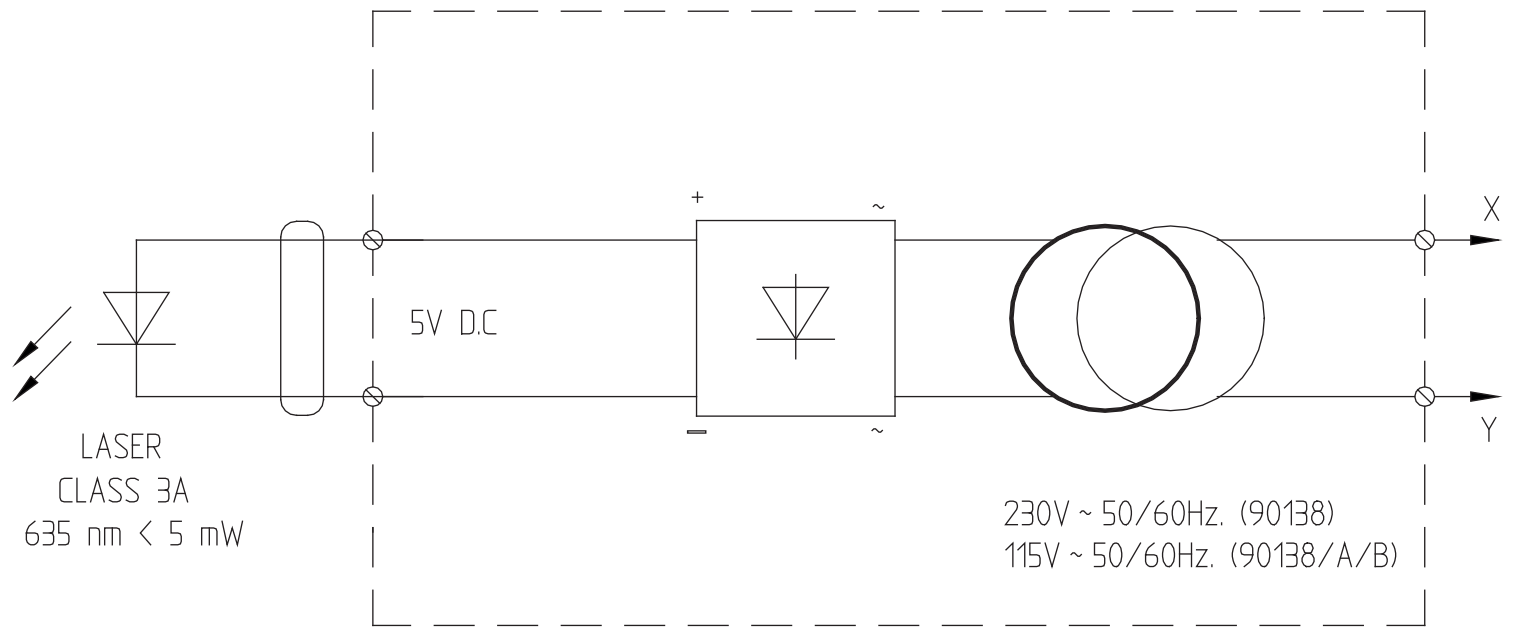
(x1)
SP90120

(x2)
SP90039

(x2)
SP90035

(x1)
SP90008/C





- 01 {
- 90109 (230V-50/60Hz)
 - 90109/A/B (115V-50/60Hz)